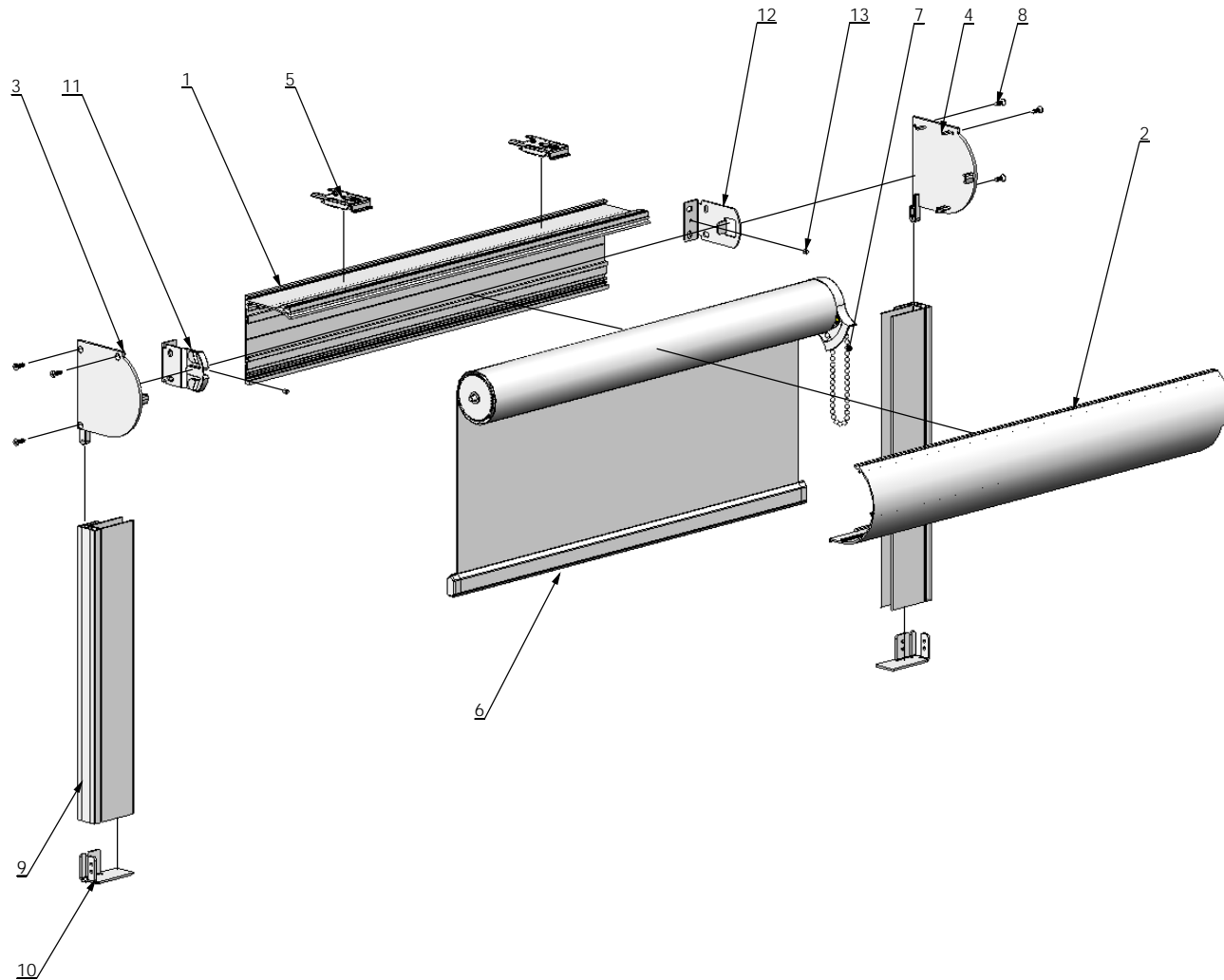


Box 90 Blockout Manual

ITEM NO.	DESCRIPTION	QTY
1	Box Back	1
2	Box Cover	1
3	End Cover Set - Left	1
4	End Cover Set - Right	1
5	Top Fix Support Bracket	2
6	Blind	1
7	Chain	1
8	End Cover Set Screw	6
9	Blackout Side Guide	2
10	Side Guide Bottom Cap	2
11	Box 90 Auto Idler Bracket	1
12	Box 90 Winder Bracket	1
13	Grub Screw	2

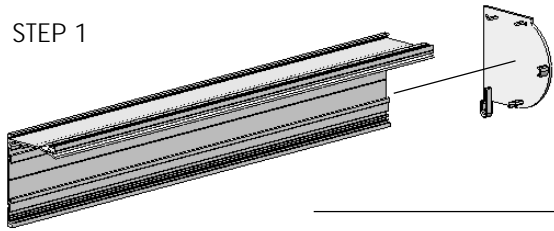


Acmeda | INSTALLATION

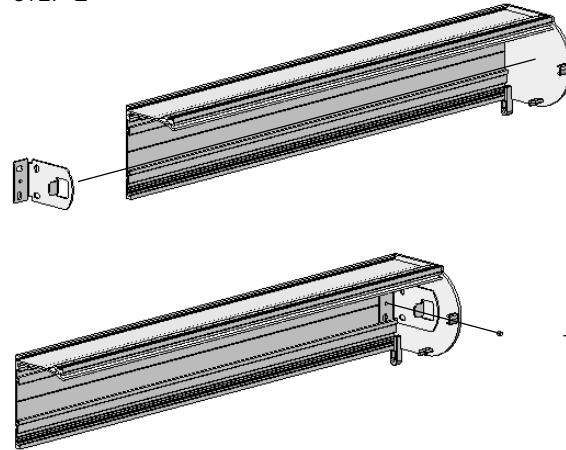
ROLLER BLINDS

BOX 90 SYSTEM

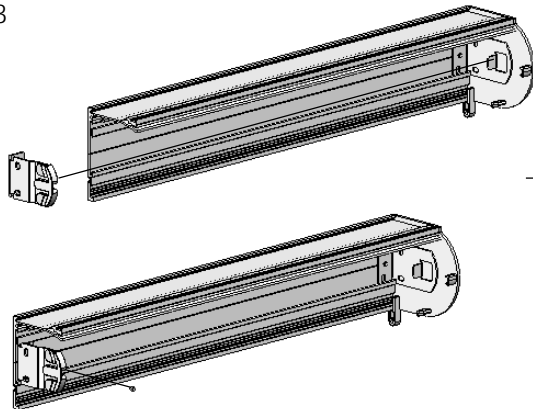
STEP 1



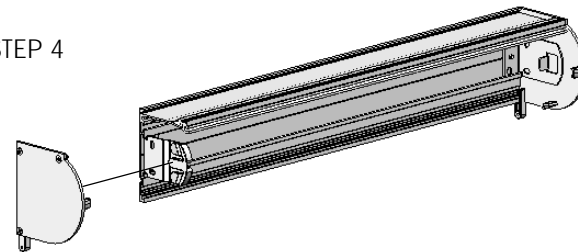
STEP 2



STEP 3



STEP 4



Acmeda | INSTALLATION

ROLLER BLINDS

BOX 90 SYSTEM

ASSEMBLY INSTRUCTIONS

STEP 1:

- Taking into consideration the *Box 90* Deductions (refer to Deductions section for further information), mount *End Cover Set - Right Hand* onto *Box Back*

STEP 2:

- Slide *Box 90 Winder Bracket* along channel of *Box Back*
- Secure *Box 90 Winder Bracket* in desired position of *Box Back* by tightening *Grub Screw*

STEP 3:

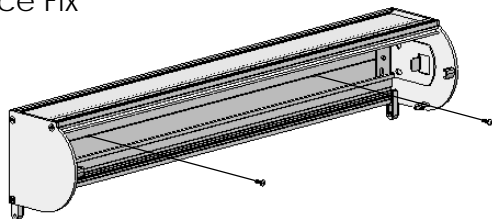
- Slide *Box 90 Auto Idler Bracket* along channel of *Box Back*
- Secure *Box 90 Auto Idler Bracket* along channel of *Box Back* by tightening *Grub Screw*

STEP 4:

- Mount *End Cover Set - Left Hand* onto *Box Back*

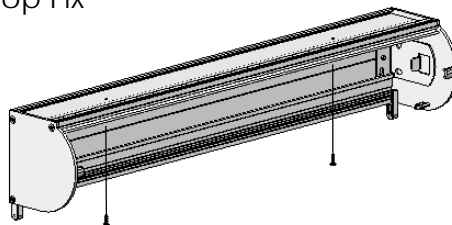
STEP 1 - Option A

Face Fix



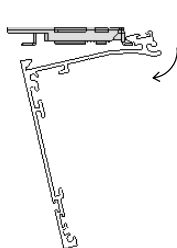
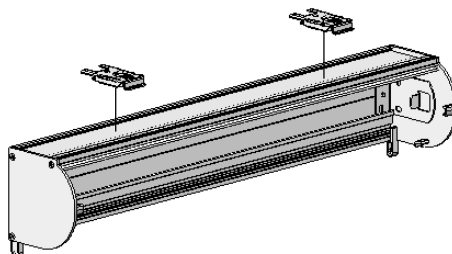
STEP 1 - Option B

Top Fix

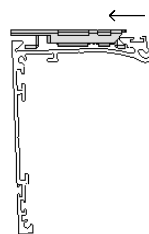


STEP 1 - Option C

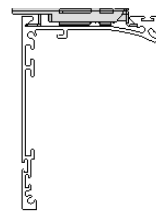
Top Fix



1



2



3



Acmeda | INSTALLATION

ROLLER BLINDS

BOX 90 SYSTEM

- The *Swivel 90 Easy-Lock Chain Winder System* has been shown for instructional purposes

INSTALLATION INSTRUCTIONS

STEP 1 - Option A: Face Fix

- Mount *Box 90* in desired position to wall

STEP 1 - Option B: Top Fix

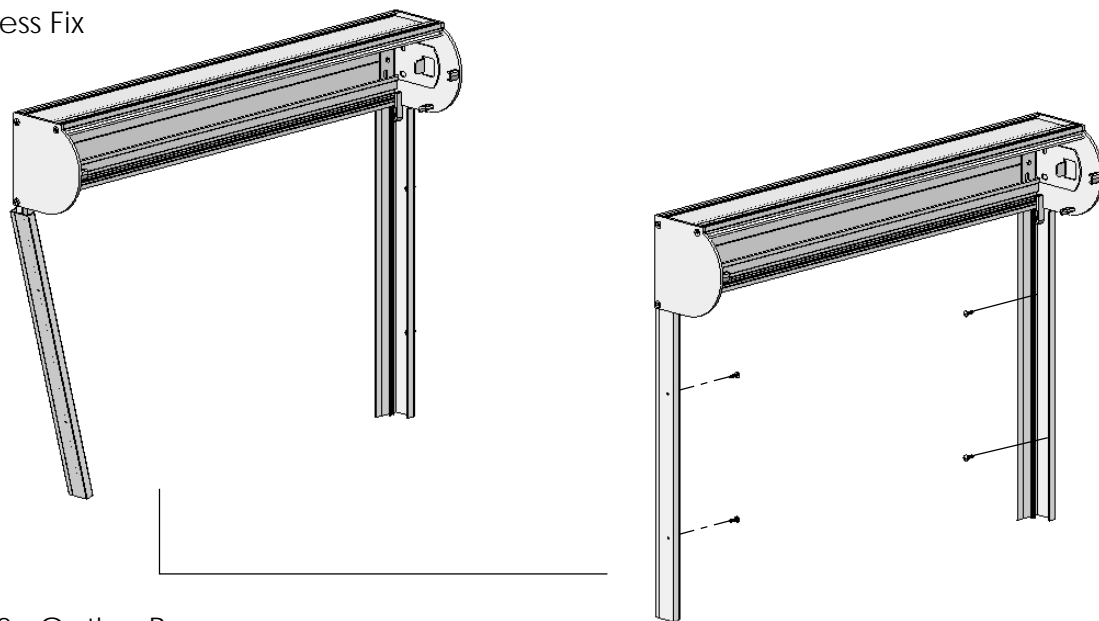
- Mount *Box 90* in desired position to Ceiling

STEP 1 - Option C: Top Fix

- Mount *Top Fix Support Brackets* in desired position to ceiling
- Mount *Box 90* onto *Top Fix Support Brackets* as shown

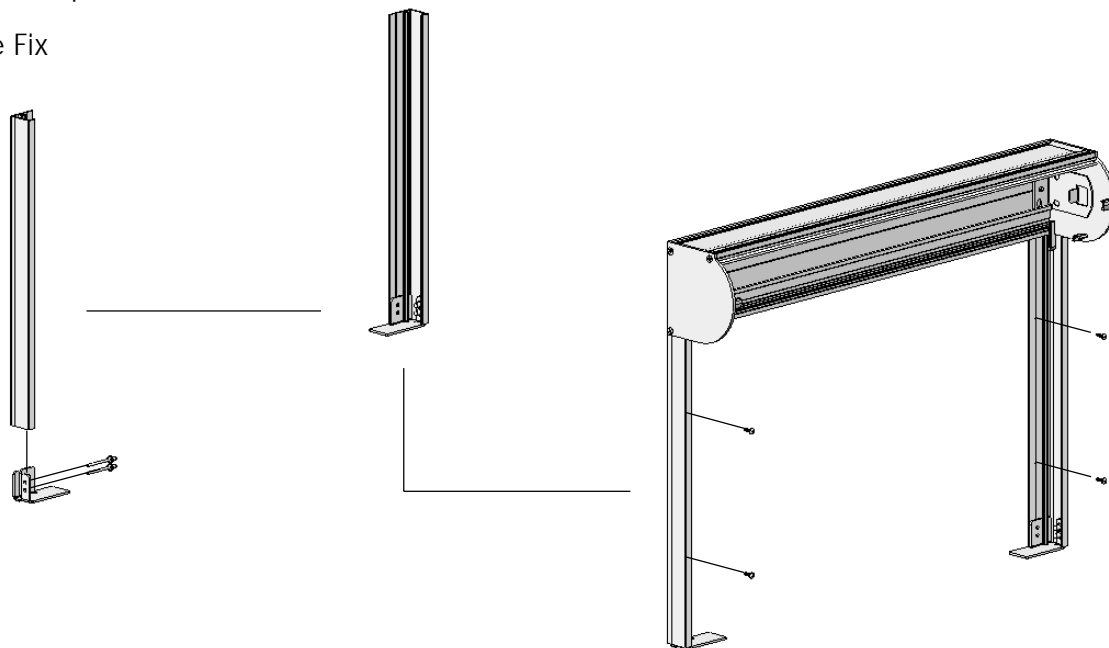
STEP 2 - Option A

Recess Fix



STEP 2 - Option B

Face Fix



Acmeda | INSTALLATION

ROLLER BLINDS

BOX 90 SYSTEM

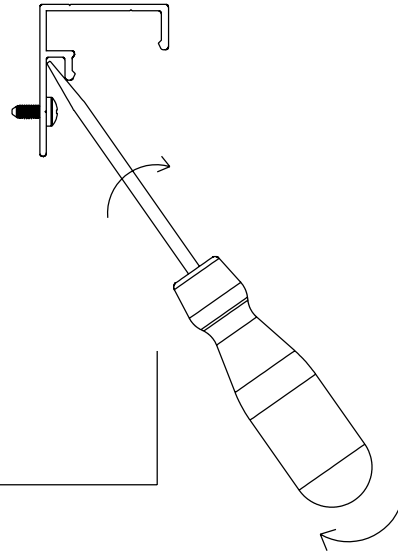
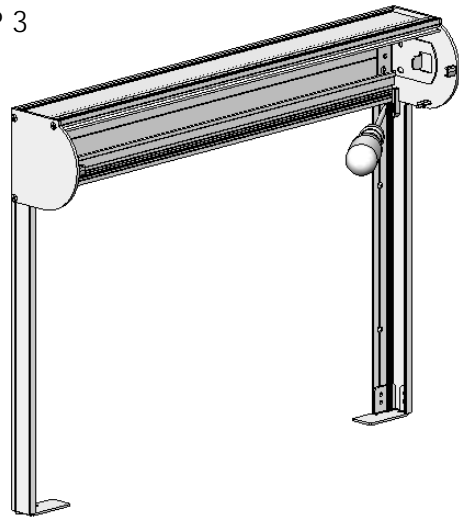
STEP 2 - Option A: Recess Fix (Bottom Caps are not used in this option)

- Attach 'Side Guide - Mounting Piece' onto 'End Cover Set'
- Mount 'Side Guide - Mounting Piece' onto wall

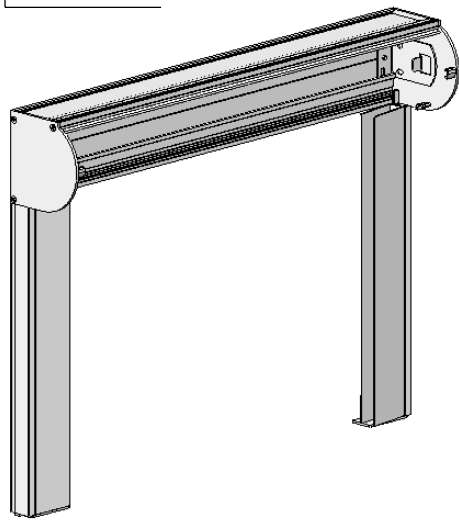
STEP 2 - Option B: Face Fix

- Install 'Bottom Cap' onto 'Side Guide - Mounting Piece' using AS4-3 rivets
- Mount 'Side Guide Mounting Piece' onto wall

STEP 3

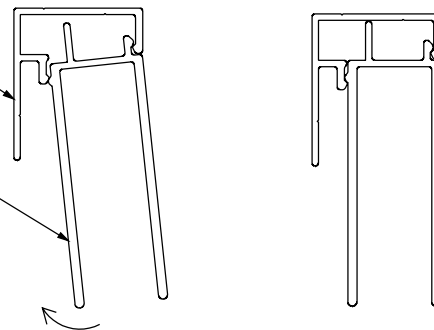


STEP 4



SIDE GUIDE - MOUNTING PIECE

SIDE GUIDE - CLIPPING PIECE



Acmeda | INSTALLATION

ROLLER BLINDS

BOX 90 SYSTEM

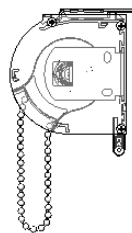
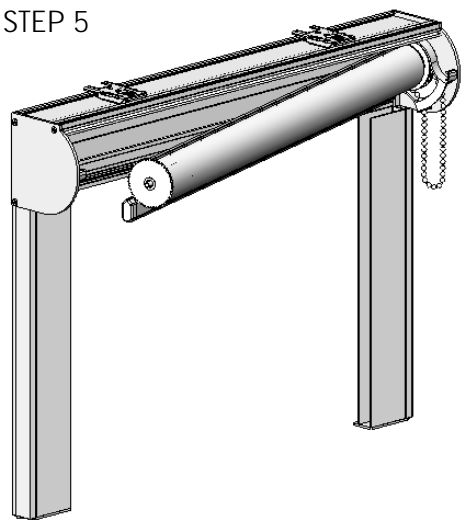
STEP 3 :

- To assist with locking of side guide channels create a slight kink at the top and bottom of the 'Side Guide - Mounting Piece'

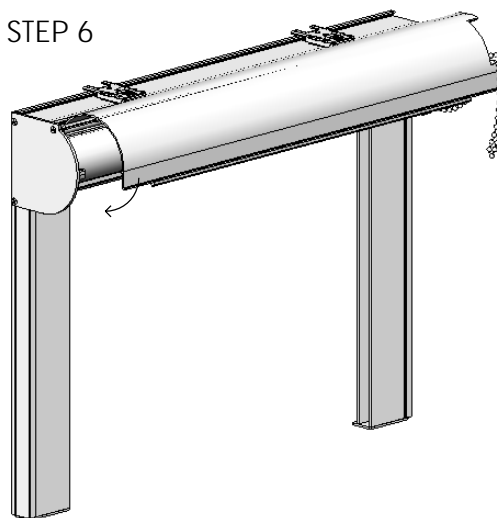
STEP 4 :

- Clip 'Side Guide - Clipping Piece' onto 'Side Guide - Mounting Piece' as shown

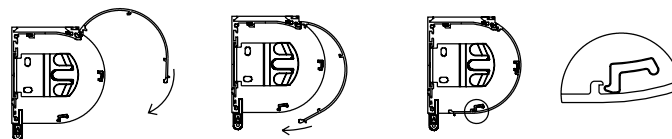
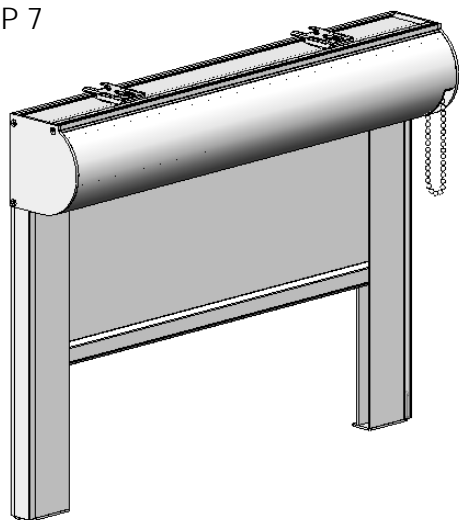
STEP 5



STEP 6



STEP 7



Acmeda | INSTALLATION

ROLLER BLINDS

BOX 90 SYSTEM

INSTALLATION INSTRUCTIONS

STEP 5:

- Mount *Blind* onto *Box Winder Bracket* and *Box 90 Auto Idler Bracket*
- Ensure *Chain Winder* sits between 'ribs' on *End Cover Set*

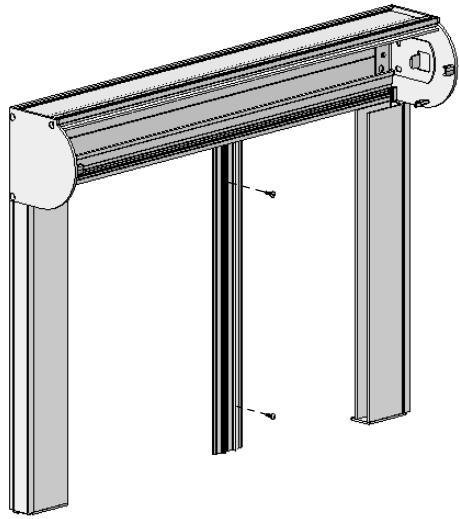
STEP 6:

- Slide *Box Cover* into groove of *Box Back*.
- Rotate *Box Cover* towards ground (clockwise) and lock into position over *End Cover Sets*. Ensure the *Box Cover* is firmly held
- Ensure *Chain* feeds through punch hole (if chain is used) and *Box Cover* has punch slots for *Side Guide*

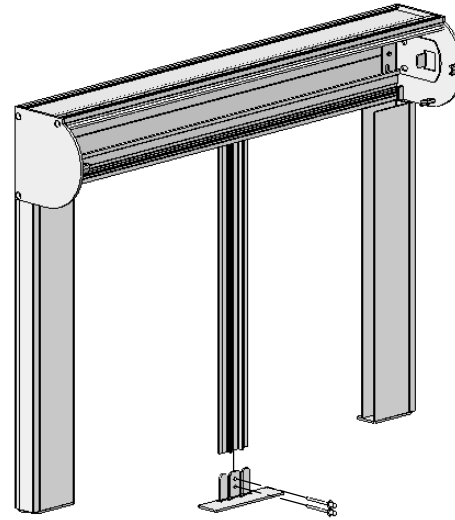
STEP 7:

- Installation complete

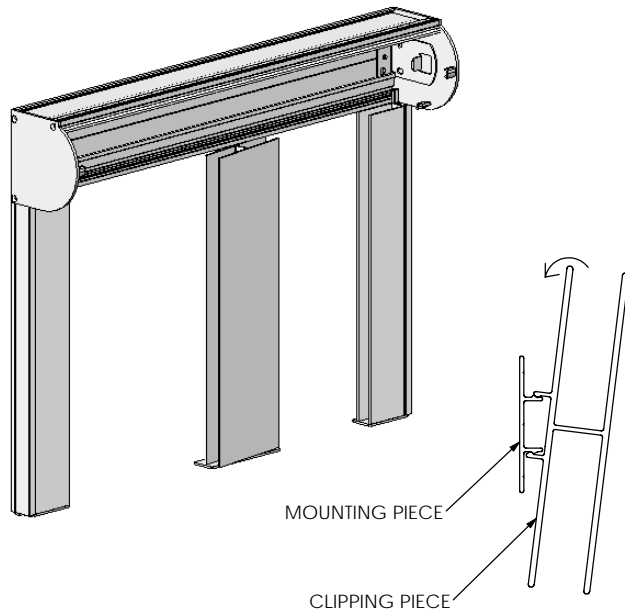
STEP 8



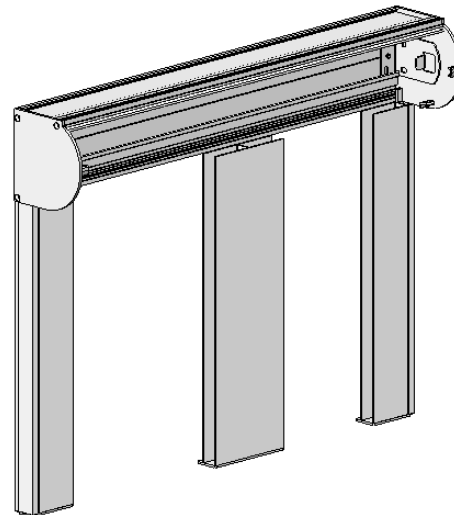
STEP 9



STEP 10



STEP 11



Acmeda | INSTALLATION

ROLLER BLINDS

BOX 90 SYSTEM

OPTIONAL:

INSTALLATION INSTRUCTIONS - INTERMEDIATE GUIDE

STEP 8:

- Mount *Intermediate Guide - Mounting Piece* into desired position.

STEP 9:

- Install *Intermediate Bottom Cap* onto *Intermediate Guide - Mounting Piece* using AS4-3 rivets

STEP 10:

- Clip *Intermediate Guide - Clipping Piece* onto *Intermediate Guide - Mounting Piece* as shown

STEP 11:

- Installation complete.

TECHNICAL SPECIFICATIONS

Recommended Lifting Capacity of Mechanisms

Mechanism / Motor	Product Code	Maximum Ideal Lifting Weight
SYS 40 Easy-Lock Chain Winder - Swivel 70 & 90	RB07-3802-xxxxxx	3.0 Kgs of Load Weight
SYS 45 Easy-Lock Chain Winder - Swivel 70 & 90	RB07-4302-xxxxxx	3.0 Kgs of Load Weight

Recommended Maximum Tube Widths

Tube Type	Product Code	Fabrics above 400g per m2	Fabrics below 400g per m2
SYS 40 SPLINE Aluminum Tube	RB91-0237-000480	1800mm	2200mm
SYS 40 KEYWAY Aluminium Tube	RB91-0238-000550	1800mm	2200mm
SYS 40 SPLINE Heavy Duty Aluminium Tube	RB91-0240-000550	2400mm	2700mm
SYS 45 KEYWAY Aluminium Tube	RB91-0243-000550	2600mm	2900mm
SYS 45 SPLINE Heavy Duty Aluminium Tube	RB91-0249-000580	2900mm	3200mm

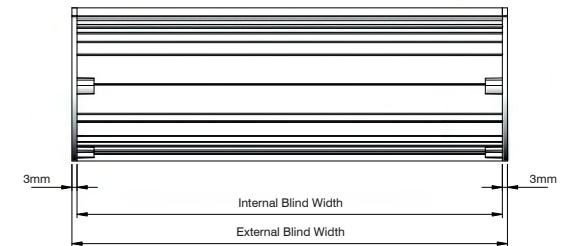


Acmeda | ROLLER BLINDS

DEDUCTIONS

BOX 90

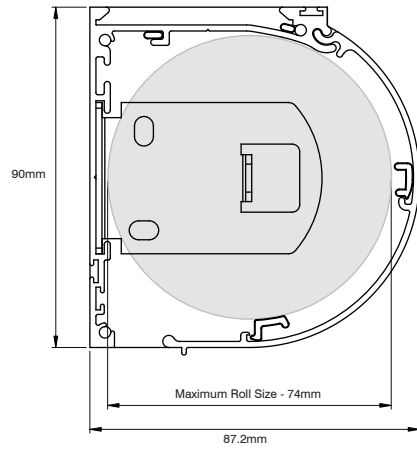
BOX 90 - End Cover Set



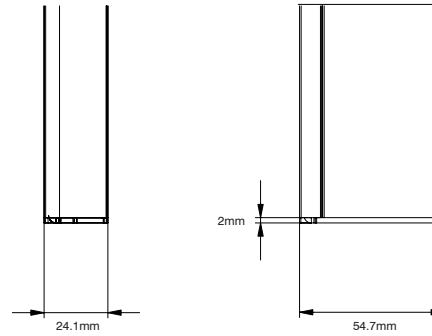
BOX 90 - BRACKET DIMENSIONS



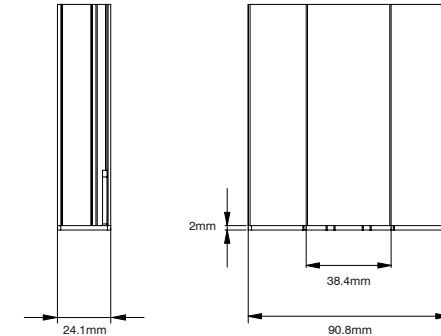
BOX 90 - Maximum Roll Size



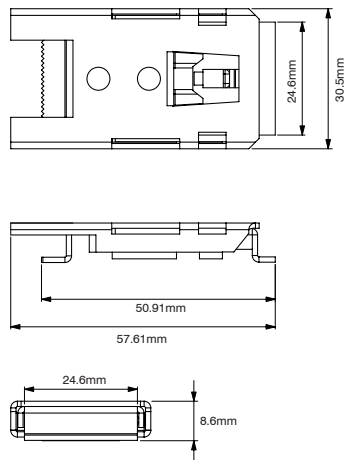
BOX 90 - Side Channel & Bottom Cap



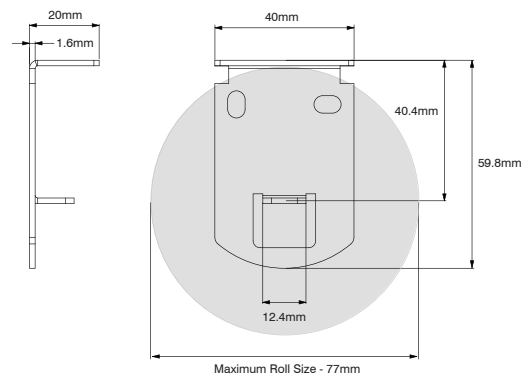
BOX 90 - Intermediate Channel & Bottom Cap



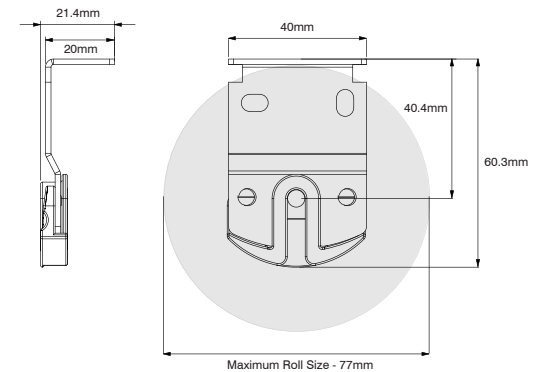
BOX 90 - Easy-Lock T/F Support Bracket



RB08 - 40mm 'AC' Easy-Lock Bracket - Control Bracket



RB08 - 40mm 'AC' Easy-Lock Bracket - Idle End

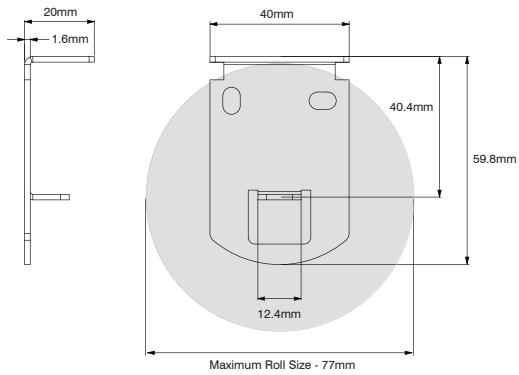


BOX 90 - BRACKET DIMENSIONS

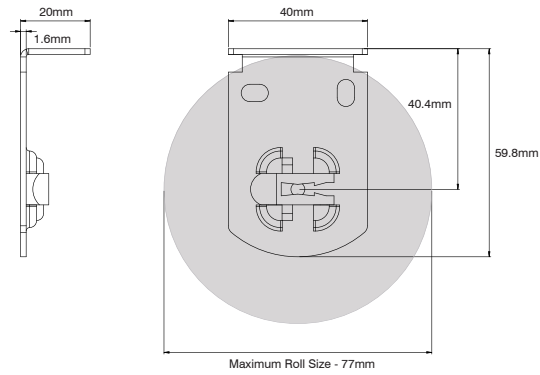


Acmeda ROLLER BLINDS

RB01 - 40mm 'AC' Easy-Lift Bracket - Control End



RB01 - 40mm 'AC' Easy-Lift Bracket - Idle End



RB41 - 40mm 'AC' Easy-Link Intermediate Bearing Bracket

