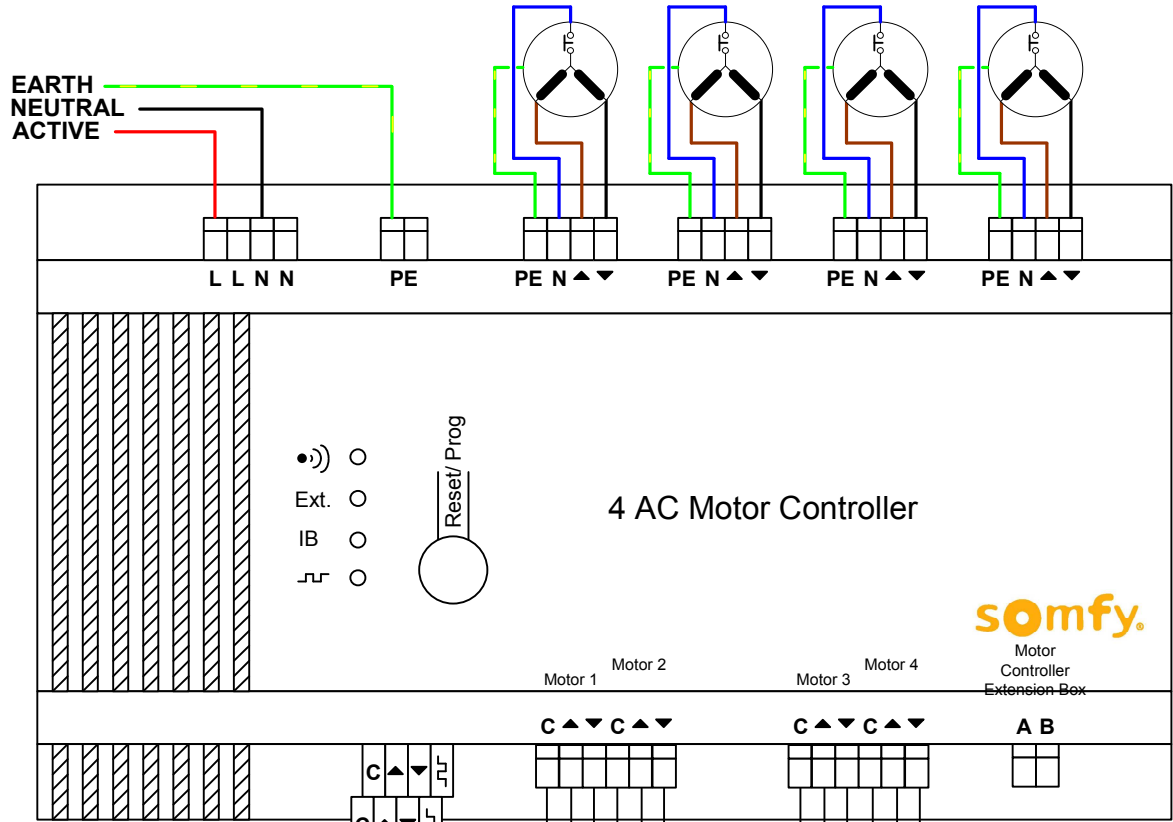


To Mains



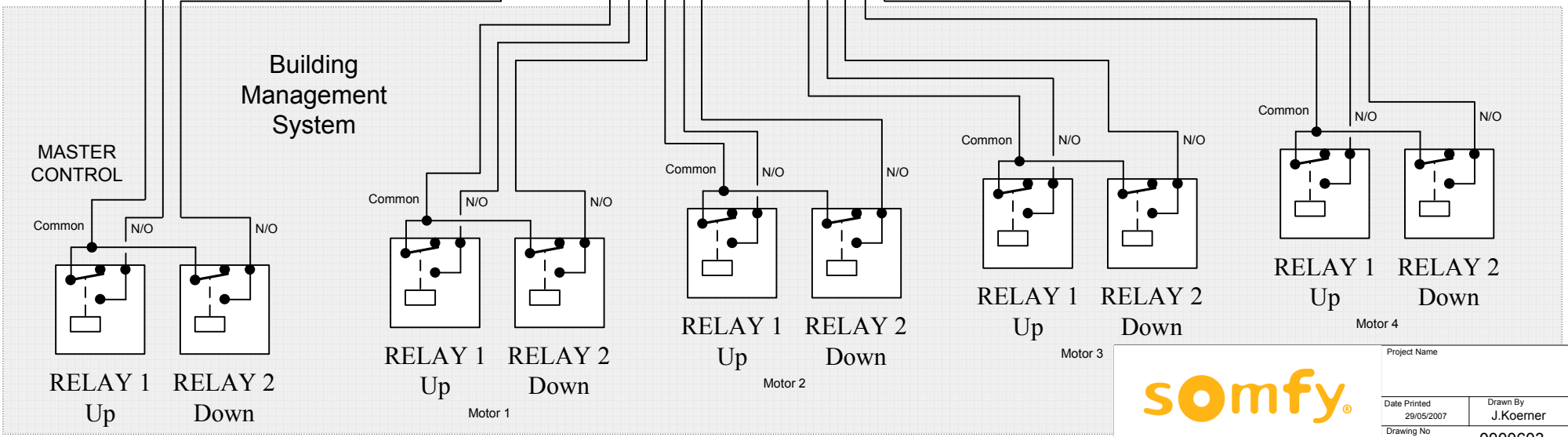
Notes:

For BMS control of motors individually each Motor input will require two Dry Contact (0 volt) relays with a momentary latch of 0.5 - 1.5 seconds. Group control is achieved by using one of the master Inputs in the same way as Individual Control.

Stop commands are issued by latching both Up and Down relays together, again momentarily (0.5 - 1.5 seconds).

If motors only momentarily move on a contact pulse, then verify the unit is not in Venetian mode (refer to installation manual for mode change).

PE = EARTH



Project Name	
Date Printed 29/05/2007	Drawn By J.Koerner
Drawing No 0000603	

© Copyright 2006
All rights reserved
These drawings
remain the
property of Somfy
and shall not
be copied or used
without written
permission.