

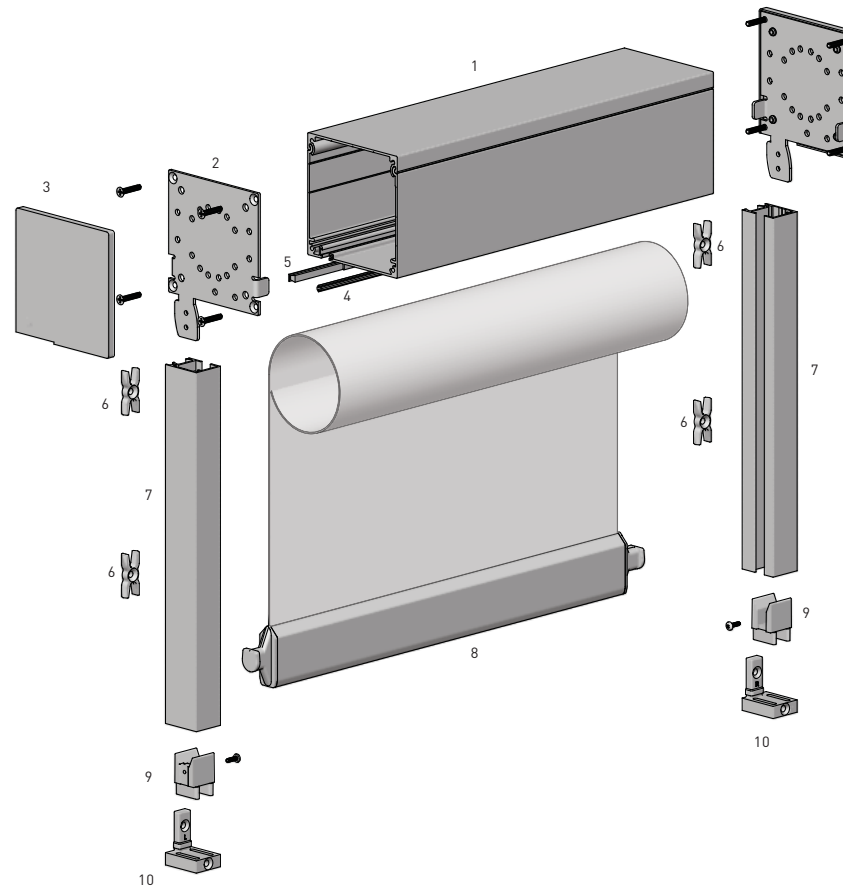
OVERVIEW: EXTERNAL BUTTON GUIDE SYSTEM INFORMATION

SYSTEM INDEX

A side channel button guided blind operation for External applications.

FEATURES/BENEFITS

- External grade powder coating.
- Choice of external Motorised & Crank Gear operation.
- Slim design side channel with guiding weight bar end cap aiding & reducing blind movement.
- Mill extrusions available for custom powder coating.
- Stylish square clean lined aesthetics.
- Weight bar features optional weight ballast inclusion.
- Mounting clips & end plate set with ears ensure effortless locating and mounting of side channels.
- Box cover opens easily allowing for on going maintenance.
- Side Channel is locked into place by bottom cap set.

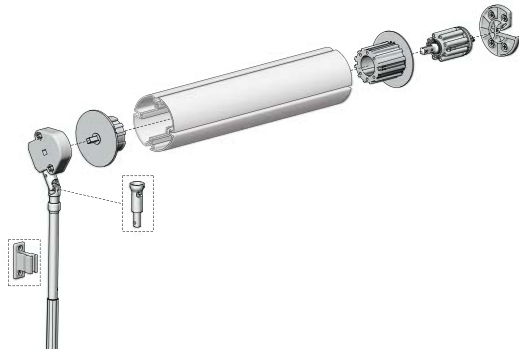


1	BOX Square 120 - BACK / COVER / TOP
2	BOX Square 120 - End Plate Set - WITH Ears
3	BOX Square 120 - End Plate Cover Set
4	PVC D Section Edge Strip
5	Fabric Brush T Slot Fit
6	SHY 33 Side Guide Mounting Clip
7	Compact Button Side Guide
8	F4115 FLAT Heavy Duty Weight Bar
9	F4115 FLAT Weight Bar - Button Side Guide End Cap
10	Compact Button Side Guide - Bottom Cap Set

SPECIFICATIONS

CONTROL OPTIONS

RB05 MEDIUM CRANK GEAR SYSTEM - S60



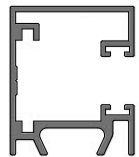
CONTROL OPTIONS

RB56 50mm MOTORISED SYSTEM - S60



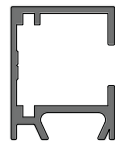
SIDE CHANNEL OPTIONS

Brushed Button Side Guide



SIDE CHANNEL OPTIONS

Compact Button Side Guide



DEDUCTIONS



CONTROL OPTION	IDLE END SIDE		CONTROL SIDE	TOTAL DEDUCTION	
	using Pre-Tension Idler	using Bearing Idler		using Pre-Tension Idler	using Bearing Idler
M50 Motorised System - Star Head	27mm [1.06"]	20mm [0.78"]	24mm [0.90"]	51mm [2.00"]	44mm [1.73"]
M50 Motorised System - Round Head	27mm [1.06"]	20mm [0.78"]	25mm [0.98"]	52mm [2.04"]	45mm [1.77"]
RB05 Medium Crank Gear System	27mm [1.06"]	20mm [0.78"]	28mm [1.10"]	55mm [2.16"]	48mm [1.88"]